

POWAIRDOR™

PNEUMATIC DOOR OPERATING SYSTEMS

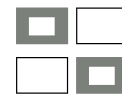


The Best Doors Deserve the Best Operator.

In 1990, Upwardor® pioneered and patented a pneumatic-powered, rod-less cylinder for door operating systems. The PowAirDor™ has only one moving part and is virtually maintenance free. Created specifically for ultra-high-cycle and high-corrosion applications and adaptable to any door, the PowAirDor product has been proven to last for decades, while out-performing other manufacturers' operators.

THE CHOICE IS YOURS:

- A high-speed, highly adaptable operating system.
- Environmentally friendly with proven building heat savings through adjustable speed settings.
- Virtually maintenance free proven to provide decades of reliable performance.
- Ideal for high-cycle and high-corrosion applications.



upwardor™

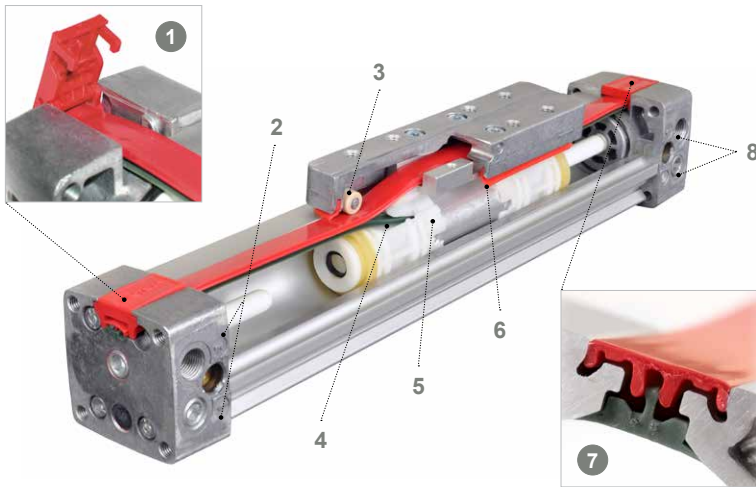
Garage Doors Designed for Life

CONTACT US FOR A DEALER NEAREST YOU – CALL 1 800 667 3367 OR VISIT UPWARDOR.COM

KEY FEATURES:

- One moving part—no chains, sprockets, limits, gears, clutches or brakes.
- May be set for slow, fast or variable speeds during close with optional built-in safety reverse—no safety edge required.
- Patented speed control will stall the door when obstructed.
- Optional manual and electric operation packages, and semi and fully-automated packages available.
- Available as a 'Trolley Mount' or side mount system.

CYLINDER FEATURES



- (1) Patent pending retainer requires no tools for replacement (2) Port identification clearly identifies carriage direction (3) Roller closer mechanism reduces friction in the carriage assembly providing smoother movement (4) Advanced strip divider improves running performance (5) Integral wear ring provides additional support and increased load carrying capacity (6) Improved wiper seal design prevents dust ingress ensuring smoother operation and increased cylinder life (7) Patented sealing system uses an interlocking seal to prevent dust ingress increasing cylinder life (8) Multiple porting



TROLLEY MODEL

CONNECTS TO THE DOOR THROUGH AN ADJUSTABLE CUSHION ARM

FEATURES:

- Mounting near ceiling, (4") headroom required.
- No "cable jumping".
- Optional adjustable speed and force control.



- Door operates from bottom section and not by shaft of door to prevent cables jumping.
- Mounted vertically at either side of door, only 6" (203mm) side room required.

SIDE MOUNT

UTILIZED WHEN TROLLEY MOUNT NOT APPLICABLE

I.E. HIGH LIFT TRACK, LOW HEADROOM OR WHEN OBSTRUCTIONS PREVENT TROLLEY MODEL INSTALLATION.



WORKS IN AN EMERGENCY

RESERVED AIR PRESSURE ALLOWS THE DOOR TO OPERATE IN A POWER OUTAGE

Call 1 800 667 3367 to find out more or visit upwardor.com

8025 Lawson Rd. Milton, ON
Canada, L9T 5C4

Telephone 905 876 3667

Fax 905 876 3533

E-mail sales@upwardor.com



upwardor™

Garage Doors Designed for Life

